

PLEASE CHECK WWW.MOLEX.COM FOR LATEST PART INFORMATION

Part Number: [1201165014](#)
Status: **Active**
Overview:
Description: Micro-Change® (M12) Closure Cap, Black

General

Product Family	Field Attachable / Accessories
Series	120116
IP Rating	N/A
Overview	microchange_m12_connectors
Product Name	Micro-Change® (M12)
Type	Accessory - Closure Cap

Physical

Cable Diameter	N/A
Coupling Type	N/A
Diagnostics / LEDs	No
Diagnostics Port	No
Gender	Male
Keyway	N/A
Material - Connector Body	N/A
Material - Contact	N/A
Material - Coupling Nut	N/A
Material - Plating Mating	n/a
Orientation	N/A
Poles	N/A
Temperature Range - Operating	N/A
Wire Size AWG	N/A

Electrical

Current - Maximum per Contact	N/A
Voltage - Maximum	N/A

Material Info

Old Part Number	K922 00000 00054
-----------------	------------------

Reference - Drawing Numbers

Sales Drawing	SD-120309-003
---------------	---------------

EU RoHS
ELV and RoHS
Compliant
REACH SVHC
Contains SVHC: No
Halogen-Free
Status
Not Reviewed

China RoHS



Need more information on product environmental compliance?

Email productcompliance@molex.com
 For a multiple part number RoHS Certificate of Compliance, [click here](#)

Please visit the [Contact Us](#) section for any non-product compliance questions.

Search Parts in this Series
[120116Series](#)

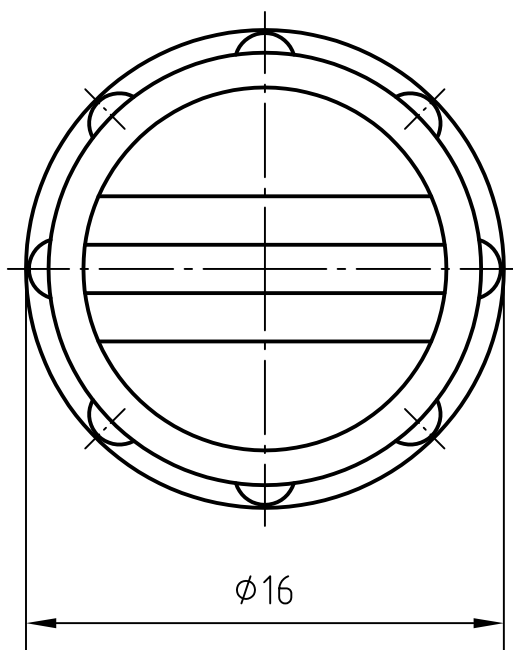
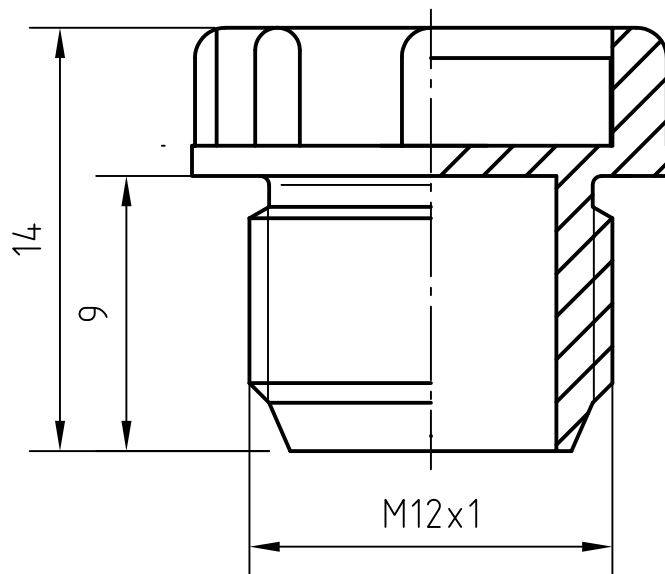
5

4

3

2

1



K922-00000-00054	M12M-CLOSURE CAP / M12M-Verschlusskappe	BLACK / schwarz	1201165014	POLYETHYLEN (PE-HD)
BG12103-Y	M12M-CLOSURE CAP / M12M-Verschlusskappe	YELLOW / gelb	1203090376	POLYETHYLEN (PE-HD)
OLD ENGIN. NUMB. Artikel-Nummer	DESCRIPTION Beschreibung	COLOR Farbe	SAP-NUMBER SAP-Nummer	MATERIAL/NOTE Material/Bemerkung

DESCRIPTION EC NO: WEU2010-0173 DRWN: REISSNER 28.10.09 CH/KD: FP APPR: NSTAUDIG 2009/12/04 REV	QUALITY SYMBOLS	GENERAL TOLERANCES (UNLESS SPECIFIED)		DIMENSION STYLE		SCALE	DESIGN UNITS	FIRST ANGLE PROJECTION	
	▼ = 0 ▽ = 0			MM		4:1	METRIC		
			mm	INCH	DRAWN BY				DATE
		4 PLACES	±---	±---	BB				2009/11/02
	3 PLACES	±---	±---	CHECKED BY	DATE	M12M-M-CLOSURE CAP ----- M12M VERSCHLUSSKAPPE			
	2 PLACES	±0.05	±---	RE	2009/11/03				
	1 PLACE	±0.1	±---	APPROVED BY	DATE				
		ANGULAR ± --- °		NSTAUDIG	2009/11/18	MOLEX INCORPORATED			
		DRAFT WHERE APPLICABLE MUST REMAIN WITHIN DIMENSIONS		MATERIAL NO.	SEE TABLE	DOCUMENT NO.	SD-120309-003	SHEET NO. 1 OF 1	
1	REV			SIZE	A4	THIS DRAWING CONTAINS INFORMATION THAT IS PROPRIETARY TO MOLEX INCORPORATED AND SHOULD NOT BE USED WITHOUT WRITTEN PERMISSION			

5

4

3

2

1